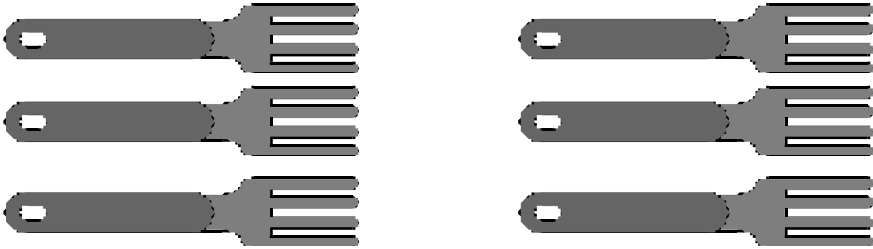
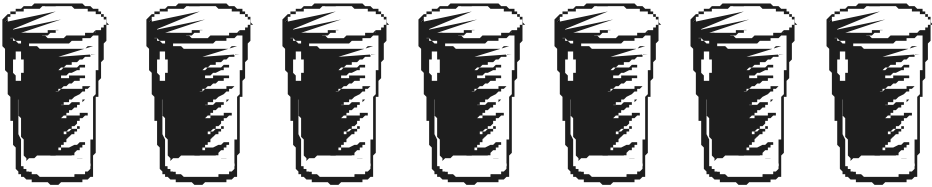
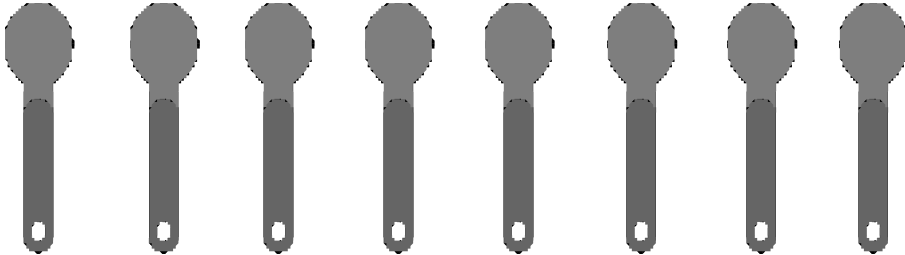

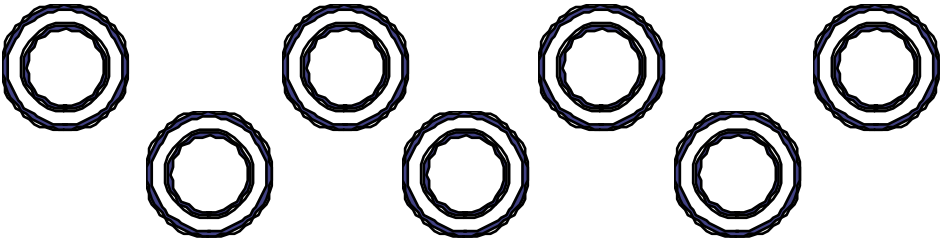
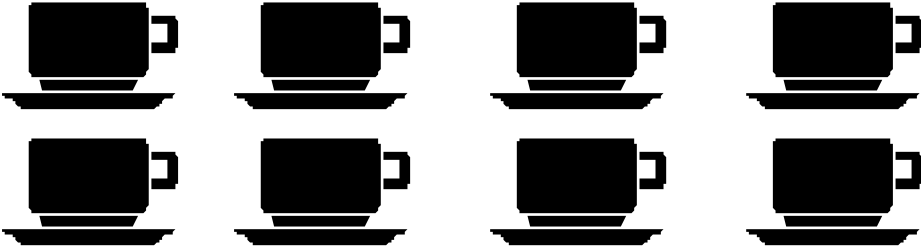


Name: _____ Date: _____

6	6	7	7	8	8
---	---	---	---	---	---

This page may be photocopied for use with the purchaser's class.